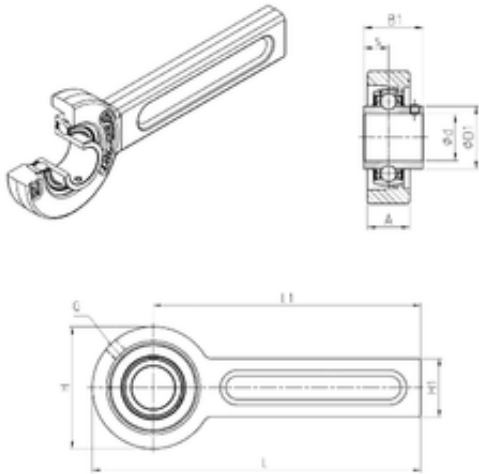




BEARING de Mexico?S.A.



SNR UCSP203 Ball bearings units

Bearing No. UCSP203

Bore Diameter	17 mm
d	17 mm
s	12,7 mm
A	21 mm
B1	31 mm
D1	29 mm
H	78 mm
H1	41 mm
L	264 mm
L1	225 mm
Thread (G)	R1/8"
Weight	1,7 Kg
Basic dynamic load rating (C)	12,8 kN
B	31 mm
A5	18.3 mm
G	R1/8"
H2	41 mm
s1	15.5 mm
S	12.7 mm
SW	3 mm
C	12.8 kN
C0	6.65 kN
T min.	-20 ° C
T max.	100 ° C
Recommended tightening torque for set screw	5.5 Nm

UCSP203 Bearing 2D drawings and 3D CAD models



BEARING de Mexico?S.A.

Designation of housing	SP203-205/47-
Designation of bearing	UC203G2