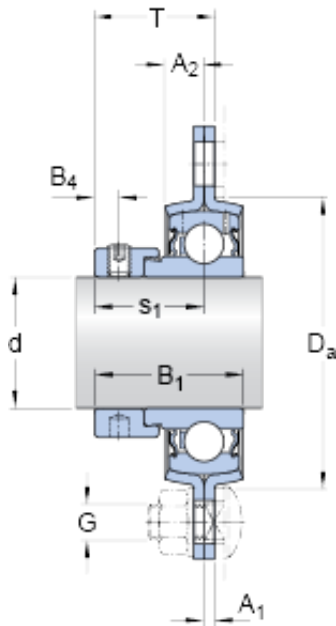




BEARING de Mexico?S.A.



PFD 30 FM Bearing 2D drawings and 3D CAD models

SKF PFD 30 FM Ball bearings units

Bearing No. PFD 30 FM

Size	30x2.5x9.5 mm
Bore Diameter	30 mm
Outer Diameter	2,5 mm
Width	9,5 mm
d	30 mm
A ₁	2.5 mm
A ₂	9.5 mm
B	23.8 mm
B ₄	5.95 mm
D _a - min.	67 mm
J	90.5 mm
H	112 mm
H ₁	38 mm
H	11 mm
s ₁	26.7 mm
T	29.2 mm
Basic dynamic load rating - C	19.5 kN
Basic static load rating - C ₀	11.2 kN
Fatigue load limit - P _u	0.475 kN
Permissible radial housing load	max. 5 kN
Weight	0.48 kg
Thread - G ₂	M8x1
Hexagonal key size for grub screw - H	4 mm



BEARING de Mexico?S.A.

Housing material	Pressed steel
A ₁	2.5 mm
A ₂	9.5 mm
B ₄	5.95 mm
D _a min.	67 mm
H ₁	38 mm
N	11 mm
s ₁	26.7 mm
Basic dynamic load rating C	19.5 kN
Basic static load rating C ₀	11.2 kN
Fatigue load limit P _u	0.475 kN
Permissible radial housing load max.	5 kN
Mass unit	0.48 kg
Thread grub screw G ₂	M8x1
Hexagonal key size for grub screw N	4 mm
Recommended tightening torque for grub screw	6.5 N · m
Recommended diameter for attachment bolts, mm G	10 mm
Recommended diameter for attachment bolts, inch G	0.375 in