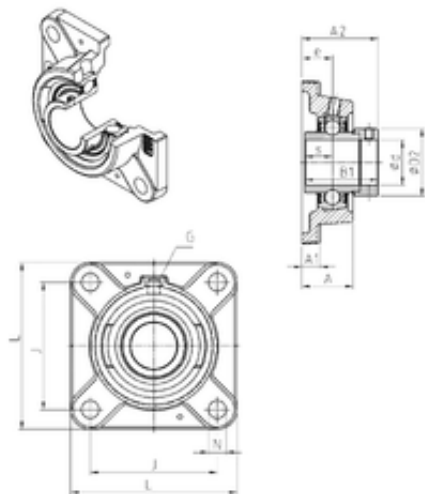




BEARING de Mexico?S.A.



SNR EXFE211 Ball bearings units

Bearing No. EXFE211

Bore Diameter	55 mm
d	55 mm
e	31 mm
s	27,7 mm
A	48,5 mm
A1	15 mm
B1	71,3 mm
D2	76,2 mm
J	130 mm
L	162 mm
N	18 mm
Thread (G)	R1/8"
A2	74,6 mm
Weight	3,9 Kg
Basic dynamic load rating (C)	43,55 kN

EXFE211 Bearing 2D drawings and 3D CAD models