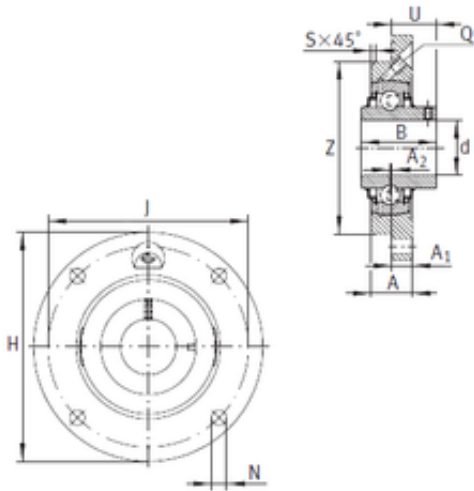




BEARING de Mexico?S.A.



INA RMEY65-214 Ball bearings units

Bearing No. RMEY65-214

Bore Diameter	65 mm
d	65 mm
U	44,4 mm
Thread (Q)	Rp1/8
Z	150 mm
A	32 mm
A1	18 mm
B	74,6 mm
H	215 mm
J	177 mm
N	18 mm
S	6 mm
Weight	5,35 Kg
Basic dynamic load rating (C)	62 kN
Category	Flange Block Bearings
Inventory	0.0
Manufacturer Name	SCHAEFFLER GROUP
Minimum Buy Quantity	N/A
Weight / Kilogram	0.001
EAN	4012802824131
Product Group	M06110
Number of Mounting Holes	4
Mounting Method	Set Screw
Housing Style	4 Bolt Round Flange Cartridge
Rolling Element	Ball Bearing

RMEY65-214 Bearing 2D drawings and 3D CAD models



BEARING de Mexico?S.A.

Housing Material	Cast Iron
Expansion / Non-expansion	Non-expansion
Mounting Bolts	18 Millimeter
Relubricatable	Yes
Insert Part Number	GYE65KRRB
Seals	Double Land Riding Rubber Contact
Housing Configuration	1 Piece Solid
Pilot Configuration	With Pilot
Inch - Metric	Metric
Long Description	4 Bolt Round Flange Cartridge; 65MM Bore; 177MM Bolt Circle; 125.2MM Bolt Spacing; 1 Piece Solid; Set Screw Mount; Cast Iron; Ball Bearing; 74.6MM Length Thru Bore; Relubricatable; Double Land Riding
Other Features	Single Row Centering Spigot With Grub Screw
Category	Flange Block
UNSPSC	31171501
Harmonized Tariff Code	8483.20.40.40
Noun	Bearing
Keyword String	Flanged
Manufacturer URL	http://www.ina.com
Manufacturer Item Number	RMEY65
Weight / LBS	11.797
Length Thru Bore	2.937 Inch 74.6 Millimeter
Nominal Bolt Circle Diameter Round	7 Inch 177 Millimeter
Bolt Spacing	4.9 Inch 125.2 Millimeter
Cartridge Pilot Depth	0.315 Inch 8 Millimeter
Bore	2.559 Inch 65 Millimeter
Cartridge Pilot Diameter	5.906 Inch 150 Millimeter



BEARING de Mexico?S.A.