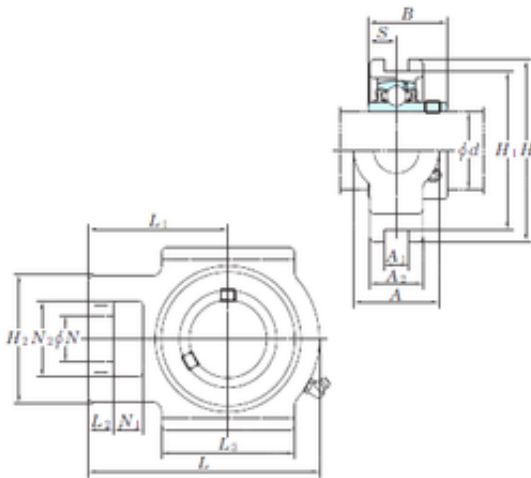




## BEARING de Mexico?S.A.



UCT321 Bearing 2D drawings and 3D CAD models

### KOYO UCT321 Ball bearings units

Bearing No. UCT321

|                               |         |
|-------------------------------|---------|
| Bore Diameter                 | 105 mm  |
| d                             | 105 mm  |
| L2                            | 32 mm   |
| L3                            | 200 mm  |
| A                             | 120 mm  |
| A1                            | 35 mm   |
| B                             | 112 mm  |
| H                             | 290 mm  |
| H1                            | 260 mm  |
| H2                            | 175 mm  |
| L                             | 345 mm  |
| L1                            | 210 mm  |
| N                             | 59 mm   |
| N1                            | 48 mm   |
| S                             | 44 mm   |
| A2                            | 75 mm   |
| N2                            | 115 mm  |
| Weight                        | 36,7 Kg |
| Basic dynamic load rating (C) | 184 kN  |
| Basic static load rating (C0) | 153 kN  |
| Bearing No.                   | UCT321  |
| Cr                            | 184     |
| C0r                           | 153     |
| f0                            | 13.2    |
| (Refer.)Unit mass(kg)         | 36.7    |
| Nipple size                   | R1/8    |



## **BEARING de Mexico?S.A.**