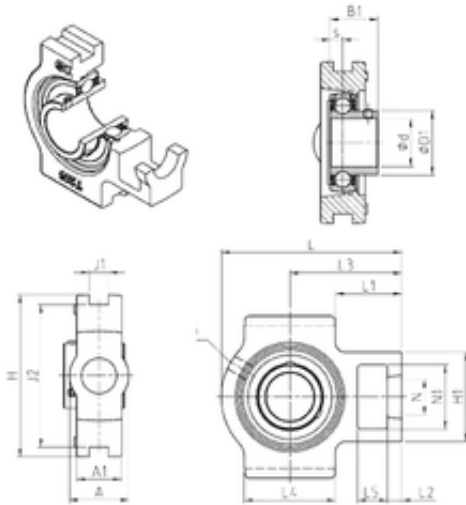




## BEARING de Mexico?S.A.



UST202 Bearing 2D drawings and 3D CAD models

### SNR UST202 Ball bearings units

Bearing No. UST202

Bore Diameter	15 mm
d	15 mm
L4	51 mm
L5	16 mm
L2	10 mm
L3	61 mm
s	6 mm
A	32 mm
A1	21 mm
B1	22 mm
D1	24,6 mm
H	89 mm
H1	51 mm
L	94 mm
L1	35,5 mm
N	19 mm
N1	32 mm
Thread (G)	M6x1
J1	12 mm
J2	76 mm
Weight	0,6 Kg
Basic dynamic load rating (C)	9,55 kN