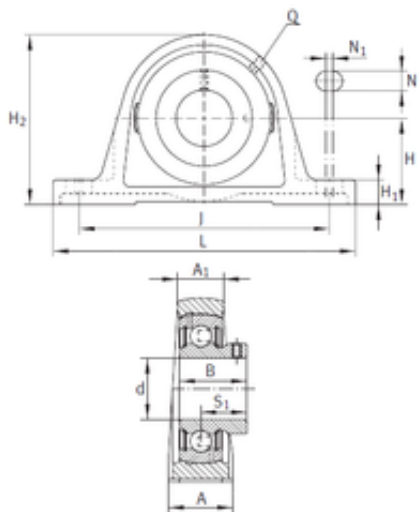




BEARING de Mexico?S.A.



INA PASEY1-1/4 Ball bearings units

Bearing No. PASEY1-1/4

Bore Diameter	31.75 mm
d	31.75 mm
S1	25,502 mm
Thread (Q)	1/8 NPT
A	46,508 mm
A1	27,991 mm
B	35,002 mm
H	47,6 mm
H1	19 mm
H2	93,701 mm
J	129,998 mm
L	172 mm
N	15,012 mm
N1	7,9 mm

PASEY1-1/4 Bearing 2D drawings and 3D CAD models