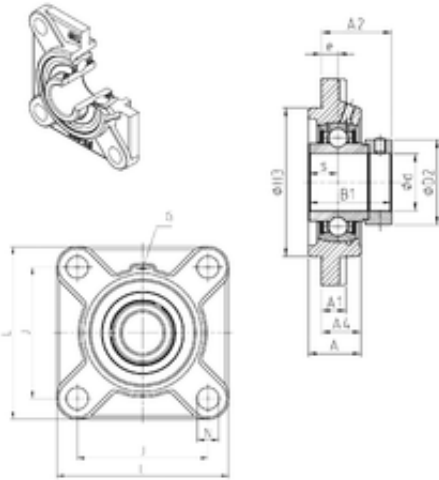




BEARING de Mexico?S.A.



SNR EXFS319 Ball bearings units

Bearing No. EXFS319

Bore Diameter	95 mm
d	95 mm
H3	250 mm
A4	74 mm
e	39 mm
s	46,8 mm
A	94 mm
A1	30 mm
B1	122,3 mm
D2	140 mm
J	228 mm
L	290 mm
N	35 mm
Thread (G)	M10x1
A2	114,5 mm
Weight	26,4 Kg
Basic dynamic load rating (C)	156 kN

EXFS319 Bearing 2D drawings and 3D CAD models