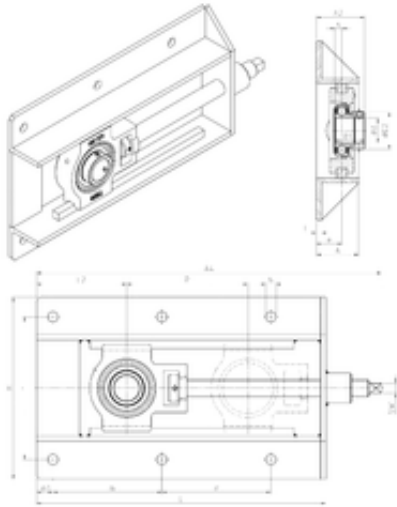




BEARING de Mexico?S.A.



SNR EST210+WB Ball bearings units

Bearing No. EST210+WB

Bore Diameter	50 mm
d	50 mm
A4	593 mm
P	300 mm
e	30 mm
L2	108 mm
s	11 mm
SW	15 mm
A	50 mm
B1	43,7 mm
D2	69,9 mm
H	233 mm
J	192 mm
L	520 mm
M	219 mm
M1	22 mm
N	15 mm
T	6 mm
A2	62,7 mm
Weight	12 Kg
Basic dynamic load rating (C)	35,1 kN
A1	16 mm
B	30.2 mm
A5	19.2 mm
d1	67.2 mm
G	M6x1

EST210+WB Bearing 2D drawings and 3D CAD models



BEARING de Mexico?S.A.

H1	102 mm
H2	83 mm
L1	90 mm
L3	86 mm
N1	19 mm
N2	49 mm
s1	33.4 mm
S	11 mm
C	35.1 kN
C0	23.2 kN
T min.	-20 ° C
T max.	100 ° C
Recommended tightening torque for set screw	11.5 Nm
Designation of housing	T210-
Designation of bearing	ES210G2