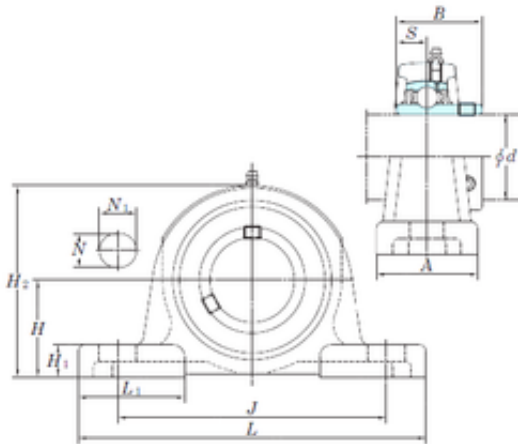




BEARING de Mexico?S.A.



UCP218 Bearing 2D drawings and 3D CAD models

KOYO UCP218 Ball bearings units

Bearing No. UCP218

Bore Diameter	90 mm
Width	96 mm
d	90 mm
A	88 mm
B	96 mm
H	101,6 mm
H1	34 mm
H2	198 mm
J	262 mm
L	327 mm
L1	104 mm
N	27 mm
N1	45 mm
S	39,7 mm
Bolt (G)	M22
Weight	13,9 Kg
Basic dynamic load rating (C)	96,1 kN
Basic static load rating (C0)	71,5 kN
Bearing No.	UCP218
Bolt size	M22
Cr	96.1
C0r	71.5
f0	14.5
(Refer.)Unit mass(kg)	13.9
Nipple size	R1/8