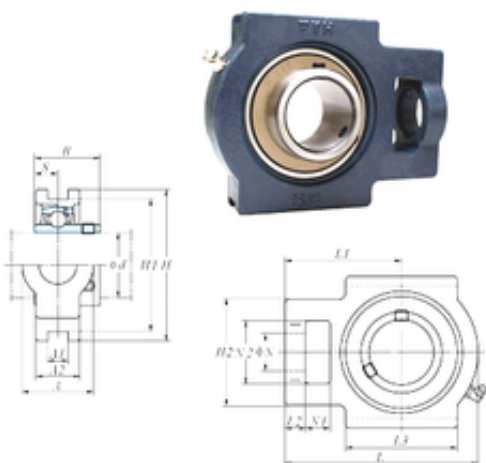




## BEARING de Mexico?S.A.

### FYH UCT321 Ball bearings units

Bearing No. UCT321



Bore Diameter	105 mm
d	105 mm
L2	32 mm
L3	200 mm
A	120 mm
A1	35 mm
B	112 mm
H	290 mm
H1	260 mm
H2	175 mm
L	345 mm
L1	210 mm
N	59 mm
N1	48 mm
S	44 mm
A2	75 mm
N2	115 mm
Weight	36,7 Kg
Basic dynamic load rating (C)	184 kN
Basic static load rating (C0)	153 kN

UCT321 Bearing 2D drawings and 3D CAD models