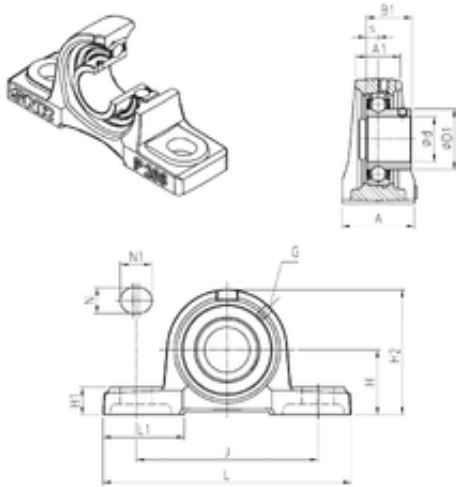




BEARING de Mexico?S.A.



USP210 Bearing 2D drawings and 3D CAD models

SNR USP210 Ball bearings units

Bearing No. USP210

Bore Diameter	50 mm
d	50 mm
s	10,9 mm
A	60 mm
A1	39 mm
B1	43,5 mm
D1	61,8 mm
H	57,2 mm
H1	22 mm
H2	114 mm
J	159 mm
L	206 mm
L1	65 mm
N	20 mm
N1	25 mm
Thread (G)	M6x1
Weight	2,9 Kg
Basic dynamic load rating (C)	35,1 kN