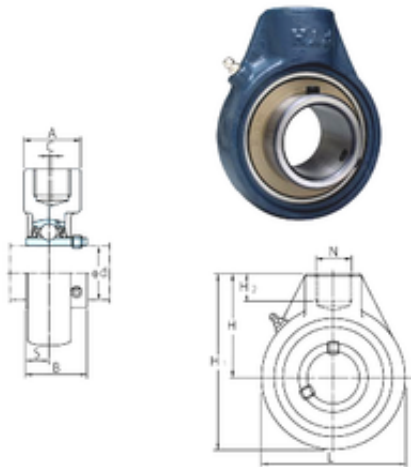




BEARING de Mexico?S.A.



FYH UCHA208 Ball bearings units

Bearing No. UCHA208

Bore Diameter	40 mm
Width	49,2 mm
d	40 mm
A	40 mm
B	49,2 mm
C	2 mm
H	73 mm
H1	121 mm
H2	19 mm
L	96 mm
S	19 mm
Bolt (G)	PF 3/4
Weight	1,3 Kg
Basic dynamic load rating (C)	29,1 kN
Basic static load rating (C0)	17,8 kN
Category	Hanger Unit Bearings
Inventory	0.0
Manufacturer Name	FYH BEARING UNITS
Minimum Buy Quantity	N/A
Weight / Kilogram	1.299
Product Group	M06110
Mounting Method	Set Screw
Housing Material	Cast Iron
Mounting Thread	3/4 Straight Pipe Female
Rolling Element	Ball Bearing
Insert Material	Steel

UCHA208 Bearing 2D drawings and 3D CAD models



BEARING de Mexico?S.A.

Expansion / Non-expansion	Non-expansion
Housing Style	Hanger Unit
Relubricatable	Yes
Insert Part Number	UC208
Seals	Single Lip Contact
Rating	Normal Duty
Other Features	Single Row Spherical NBR Seal Has Slinger
Long Description	40MM Bore; 73MM Base to Center Height; Set Screw; Hanger Unit; Cast Iron Housing; Ball Bearing; 96MM Housing Outside Diameter; 49.2MM Length Thru Bore; 121MM Housing Overall Length; Steel Insert; UC20
Inch - Metric	Metric
Category	Mounted Hanger Units
UNSPSC	31171513
Harmonized Tariff Code	8483.20.40.40
Noun	Bearing
Keyword String	Hanger
Manufacturer URL	http://www.fyhbearings.com
Manufacturer Item Number	UCHA208
Weight / LBS	2.866
Length Thru Bore	1.937 Inch 49.2 Millimeter
Bore	1.575 Inch 40 Millimeter
Housing Overall Length	4.764 Inch 121 Millimeter
Housing Outside Diameter	3.78 Inch 96 Millimeter
Base to Center Height	2.874 Inch 73 Millimeter