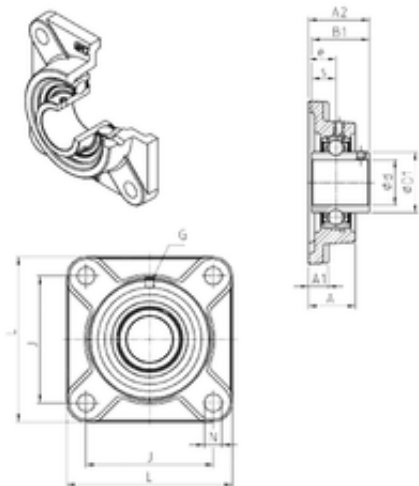




BEARING de Mexico?S.A.



SNR UCF305 Ball bearings units

Bearing No. UCF305

Bore Diameter	25 mm
d	25 mm
e	16 mm
s	15 mm
A	29 mm
A1	13 mm
B1	38 mm
D1	35,4 mm
J	80 mm
L	108 mm
N	16 mm
Thread (G)	M6x1
A2	39 mm
Weight	1,1 Kg
Basic dynamic load rating (C)	22,36 kN

UCF305 Bearing 2D drawings and 3D CAD models