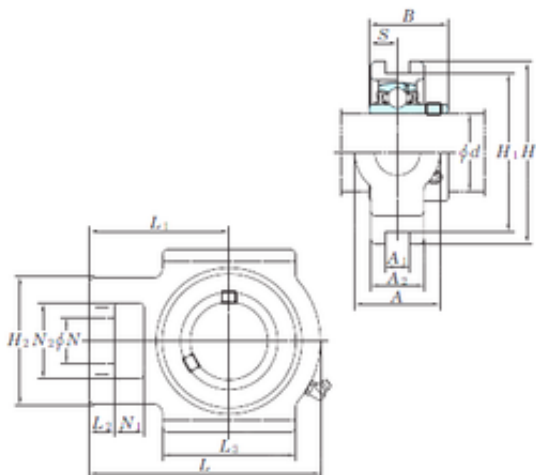




BEARING de Mexico?S.A.



UCT217-52 Bearing 2D drawings and 3D CAD models

KOYO UCT217-52 Ball bearings units

Bearing No. UCT217-52

| | |
|-------------------------------|----------|
| Bore Diameter | 82,55 mm |
| d | 82,55 mm |
| L2 | 29 mm |
| L3 | 157 mm |
| A | 73 mm |
| A1 | 30 mm |
| B | 85,7 mm |
| H | 198 mm |
| H1 | 173 mm |
| H2 | 124 mm |
| L | 260 mm |
| L1 | 162 mm |
| N | 48 mm |
| N1 | 38 mm |
| S | 34,1 mm |
| A2 | 54 mm |
| N2 | 73 mm |
| Weight | 11 Kg |
| Basic dynamic load rating (C) | 84 kN |
| Basic static load rating (C0) | 61,9 kN |