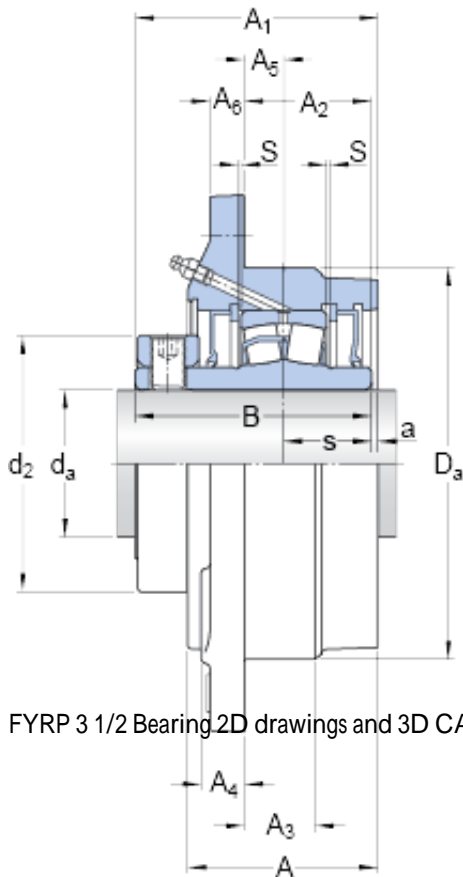




## BEARING de Mexico?S.A.



FYRP 3 1/2 Bearing 2D drawings and 3D CAD models

### SKF FYRP 3 1/2 Ball bearings units

Bearing No. FYRP 3 1/2

Size	88.9x130.175x187.325 mm
Bore Diameter	88,9 mm
Outer Diameter	130,175 mm
Width	187,325 mm
$d_a$	88.9 mm
$d_2$	130.175 mm
$D_a$	187.325 mm
A	80.962 mm
$A_1$	106.362 mm
$A_2$	49.212 mm
$A_3$	31.75 mm
$A_4$	26.988 mm
$A_5$	13.494 mm
$A_6$	22.225 mm
B	102.394 mm
a	4.762 mm
J	219.075 mm
L	260.35 mm
$N_1$	20.638 mm
s	36.512 mm
S	0.794 mm
Basic dynamic load rating - C	253 kN
Limiting speed	2300 r/min
$d_a$	88.9 mm



## BEARING de Mexico?S.A.

$d_2$	130.175 mm
$D_a$	187.325 mm
$A_1$	106.362 mm
$A_2$	49.212 mm
$A_3$	31.75 mm
$A_4$	26.988 mm
$A_5$	13.494 mm
$A_6$	22.225 mm
$N_1$	20.637 mm
Basic dynamic load rating C	253 kN
Mass bearing unit	13.2 kg
Attachment bolt diameter G	19.05 mm