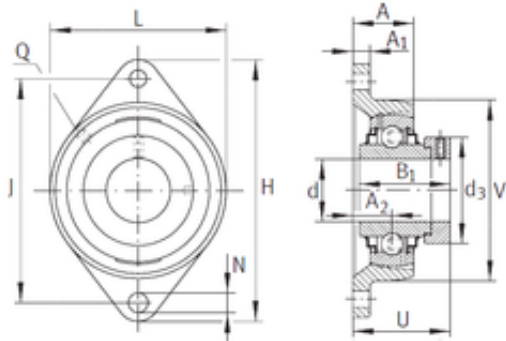




BEARING de Mexico?S.A.

INA RCJT1-15/16 Ball bearings units



Bearing No. RCJT1-15/16

Bore Diameter	49,213 mm
d	49,213 mm
V	116,51 mm
U	66,192 mm
Thread (Q)	1/8 NPT
d3	69,012 mm
A	43,002 mm
A1	16,002 mm
B	62,789 mm
H	191,008 mm
J	156,997 mm
L	116,51 mm
N	16,993 mm
A2	27,991 mm

RCJT1-15/16 Bearing 2D drawings and 3D CAD models