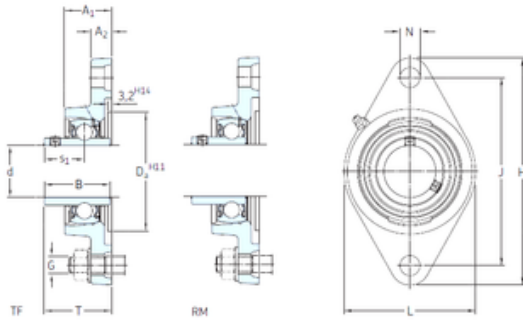




BEARING de Mexico?S.A.



FYT 5/8 FM Bearing 2D drawings and 3D CAD models

SKF FYT 5/8 FM Ball bearings units

Bearing No. FYT 5/8 FM

| | |
|-------------------------------|-----------------------|
| Bore Diameter | 15,875 mm |
| d | 15,875 mm |
| Da | 98,5 mm |
| s1 | 36,8 mm |
| A1 | 23,4 mm |
| B1 | 28,6 mm |
| G | 22,1 mm |
| H | 76,2 mm |
| J | 54 mm |
| L | 11,1 mm |
| N | 10 mm |
| T | 9,56 mm |
| A2 | 11,5 mm |
| Weight | 0,34 Kg |
| Basic dynamic load rating (C) | 4,75 kN |
| Basic static load rating (C0) | 0,2 kN |
| Category | Flange Block Bearings |
| Inventory | 0.0 |
| Manufacturer Name | SKF |
| Minimum Buy Quantity | N/A |
| Weight / Kilogram | 0.32 |
| EAN | 7316576615061 |
| Product Group | M06110 |
| Number of Mounting Holes | 2 |
| Mounting Method | Eccentric Collar |
| Housing Style | 2 Bolt Flange Block |



BEARING de Mexico?S.A.

| | |
|---------------------------|--|
| Rolling Element | Ball Bearing |
| Housing Material | Cast Iron |
| Expansion / Non-expansion | Non-expansion |
| Mounting Bolts | 3/8 Inch |
| Relubricatable | Yes |
| Insert Part Number | YET 203-010 |
| Seals | M Seal |
| Housing Configuration | 1 Piece Solid |
| Pilot Configuration | No Pilot |
| Inch - Metric | Inch |
| Long Description | 2 Bolt Flange Block; 5/8" Bore; 3" Bolt Circle; 3" Bolt Spacing; 1 Piece Solid; Eccentric Collar Mount; Cast Iron; Ball Bearing; 1-7/64" Length Thru Bore; Relubricatable; M Seal Se |
| Other Features | Single Row Standard Duty Narrow Inner Race Open End Y Bearing |
| Category | Flange Block |
| UNSPSC | 31171501 |
| Harmonized Tariff Code | 8483.20.40.40 |
| Noun | Bearing |
| Keyword String | Flanged |
| Manufacturer URL | http://www.skf.com |
| Manufacturer Item Number | FYT 5/8 FM |
| Weight / LBS | 0.7 |
| Bolt Spacing | 3 Inch 76.2 Millimeter |
| Length Thru Bore | 1.109 Inch 28.169 Millimeter |
| Cartridge Pilot Diameter | 0 Inch 0 Millimeter |
| Bore | 0.625 Inch 15.875 Millimeter |
| Nominal Bolt Circle | 3 Inch 76 Millimeter |



BEARING de Mexico?S.A.

| | |
|-----------------------|-----------------------|
| Diameter Round | |
| Cartridge Pilot Depth | 0 Inch 0 Millimeter |