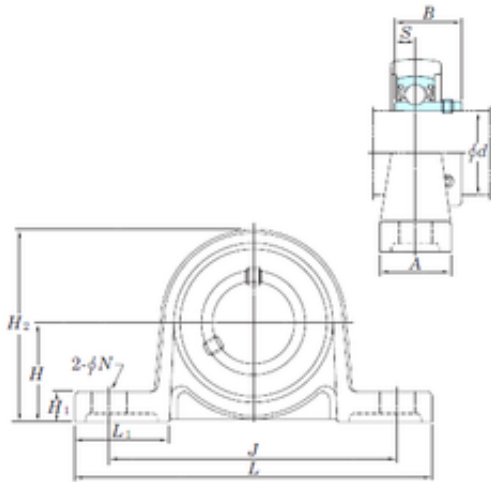




BEARING de Mexico?S.A.

KOYO UP003 Ball bearings units

Bearing No. UP003



UP003 Bearing 2D drawings and 3D CAD models

Bore Diameter	17 mm
Width	17,5 mm
d	17 mm
A	18 mm
B	17,5 mm
H	24 mm
H1	7 mm
H2	47 mm
J	67 mm
L	85 mm
L1	21 mm
N	7 mm
S	6 mm
Bolt (G)	M6
Weight	0,15 Kg
Basic dynamic load rating (C)	6 kN
Basic static load rating (C0)	3,25 kN
Bearing No.	UP003
Bolt size	M6
Cr	6.00
C0r	3.25
f0	14.4
(Refer.)Unit mass(kg)	0.15