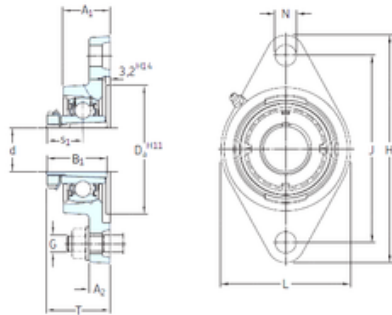




BEARING de Mexico?S.A.



SKF FYTJ 35 KF+H 2307 Ball bearings units

Bearing No. FYTJ 35 KF+H 2307

Bore Diameter	30 mm
d	30 mm
Da	88,9 mm
s1	24,3 mm
A1	34 mm
B1	43 mm
G	14 mm
H	161 mm
J	130 mm
L	96 mm
N	16 mm
T	43,3 mm
A2	16 mm
Weight	1,3 Kg
Basic dynamic load rating (C)	25,5 kN
Basic static load rating (C0)	15,3 kN
Fatigue load limit (Pu)	0,655

FYTJ 35 KF+H 2307 Bearing 2D drawings and 3D CAD models