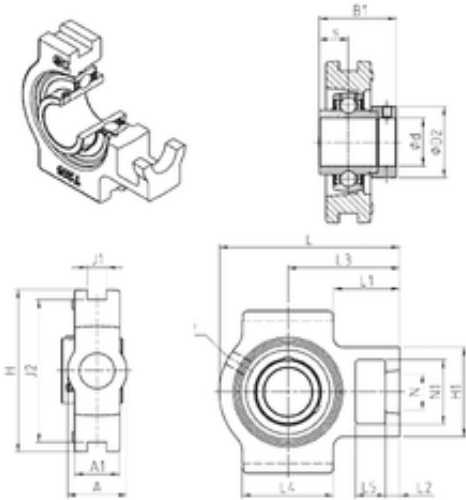




## BEARING de Mexico?S.A.

### SNR EXT317 Ball bearings units

Bearing No. EXT317



EXT317 Bearing 2D drawings and 3D CAD models

Bore Diameter	85 mm
d	85 mm
L4	170 mm
L5	42 mm
L2	32 mm
L3	183 mm
s	42 mm
A	102 mm
A1	64 mm
B1	109,5 mm
D2	127 mm
H	240 mm
H1	152 mm
L	298 mm
L1	98 mm
N	53 mm
N1	98 mm
Thread (G)	M10x1
J1	32 mm
J2	214 mm
Weight	20 Kg
Basic dynamic load rating (C)	132,6 kN
A2	64 mm
B	84.1 mm
A5	42.1 mm
d1	127 mm



## BEARING de Mexico?S.A.

G	M10x1
H2	152 mm
N2	98 mm
s1	73.85 mm
S	42 mm
SW	8 mm
C	132.6 kN
C0	96.5 kN
T min.	-20 ° C
T max.	100 ° C
Recommended tightening torque for set screw	64 Nm
Designation of housing	T317-
Designation of bearing	EX317G2