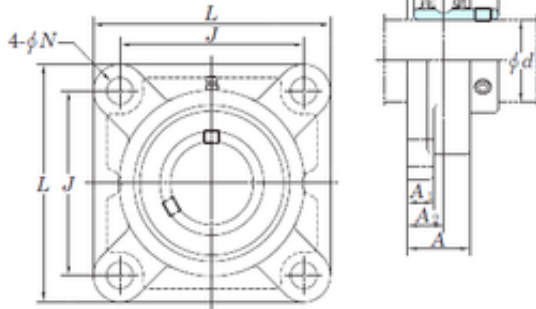




## BEARING de Mexico?S.A.

### KOYO UCFX05 Ball bearings units

Bearing No. UCFX05



UCFX05 Bearing 2D drawings and 3D CAD models

Bore Diameter	25 mm
d	25 mm
A0	40,2 mm
A	30 mm
A1	13 mm
B	38,1 mm
J	83 mm
L	108 mm
N	12 mm
S	15,9 mm
Bolt (G)	M10
A2	18 mm
Weight	1,2 Kg
Basic dynamic load rating (C)	19,5 kN
Basic static load rating (C0)	11,3 kN
Bearing No.	UCFX05
Bolt size	M10
Cr	19.5
C0r	11.3
f0	13.9
(Refer.)Unit mass(kg)	1.2
Nipple size	1/4-28UNF