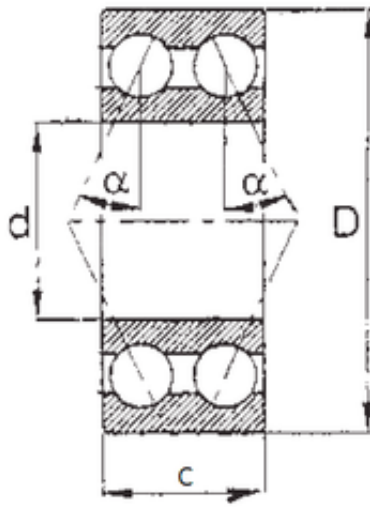




BEARING de Mexico?S.A.



55 mm x 100 mm x 33,338 mm FBJ 5211
Angular contact ball bearings

Bearing No. 5211

Size	55x100x33.338 mm
Bore Diameter	55 mm
Outer Diameter	100 mm
Width	33,338 mm
d	55 mm
D	100 mm
B	33,338 mm
C	33,338 mm
Angle (°)	25 °
Weight	0,96 Kg
Basic dynamic load rating (C)	65,9 kN
Basic static load rating (C0)	55,2 kN
(Grease) Lubrication Speed	3800 r/min

5211 Bearing 2D drawings and 3D CAD models