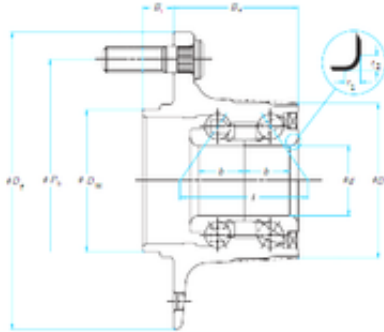




BEARING de Mexico?S.A.

NSK 30BWK13A Angular contact ball bearings



Bearing No. 30BWK13A

Bore Diameter	30 mm
Outer Diameter	148 mm
d	30 mm
D	148 mm
Df	148 mm
Pb	114,3 mm
Bi	15,5 mm
b	27,5 mm
r1 min.	4,5 mm
r2 min.	3,6 mm
B1	57,5 mm
D	66,1 mm
Dw	66 mm
	64,3 Tolerance h14
Weight	1,93 Kg
Basic dynamic load rating (C)	44 kN
Basic static load rating (C0)	34,5 kN

30BWK13A Bearing 2D drawings and 3D CAD models