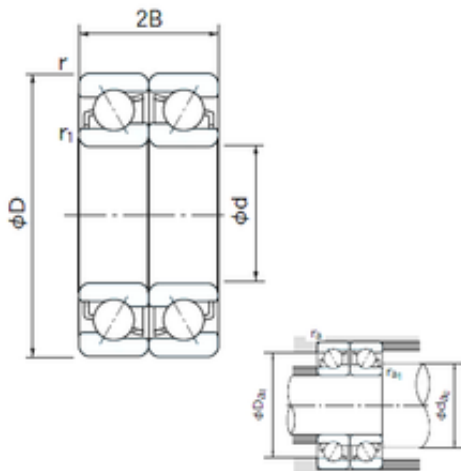




BEARING de Mexico?S.A.



70 mm x 125 mm x 24 mm NACHI 7214DF
Angular contact ball bearings

Bearing No. 7214DF

7214DF Bearing 2D drawings and 3D CAD models

| | |
|-------------------------------|------------------|
| Size | 70x125x24 mm |
| Bore Diameter | 70 mm |
| Outer Diameter | 125 mm |
| Width | 24 mm |
| d | 70 mm |
| D | 125 mm |
| B | 24 mm |
| C | 24 mm |
| Angle (°) | 30 ° |
| a | 16.1 mm |
| r min. | 1.5 mm |
| r1 min. | 1 mm |
| 2B | 48 mm |
| da min. | 75 mm |
| Da max. | 119.6 mm |
| ra max. | 1 mm |
| Weight | 1.12 Kg |
| Basic dynamic load rating (C) | 124 kN |
| Basic static load rating (C0) | 127 kN |
| (Grease) Lubrication Speed | 3800 r/min |
| Bore Type | Cylindrical Bore |
| Enclosure | Open |
| Configuration | Duplex |
| Bore Size | 70 mm |
| Outside Diameter | 125 mm |



BEARING de Mexico?S.A.

| | |
|-------------------------|-----------|
| Width | 24 mm |
| Fillet Radius/Chamfer | 1.5 mm |
| r1 | 1 mm |
| Dynamic Load Rating | 124,000 N |
| Static Load Rating | 127,000 N |
| Limiting Speed - Grease | 3,800 rpm |
| Limiting Speed - Oil | 5,000 rpm |
| da1 (min) | 79 mm |
| da2 (min) | 75 mm |
| Da1 (max) | 116 mm |
| Da2 (max) | 119.6 mm |
| ra (max) | 1.5 mm |
| ra1 (max) | 1 mm |